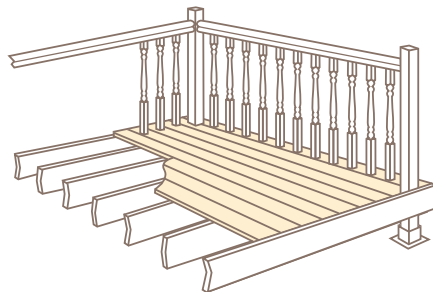


A general guide for constructing a deck

Important Information About Your Decking

1. Always pre-drill pilot holes prior to fixing with screws.
2. Use stainless steel screws and fixings to eliminate rust stains.
3. Keep posts out of contact with the ground or standing water.
4. To maintain the colour of your deck treat it with a pigmented stain or oil.
Without treatment, exposure to UV light will cause the colour to fade.



Tools Required

Spade
Straight edge or chalk line
Spirit level
Suitable fixings
Drill and hammer
Screwdriver
Hand/Power saw
Metal post supports (optional)

Safety First

Wear gloves to avoid splinters.

Avoid prolonged inhalation of sawdust from wood.

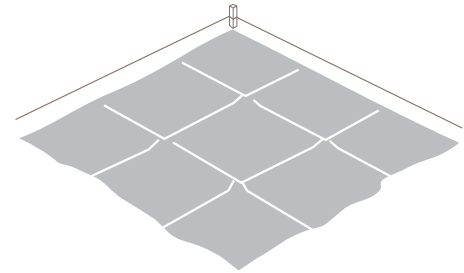
When using power tools wear safety goggles to protect your eyes from the possibility of flying particles.

→ A guide to constructing a deck continued overleaf...

A general guide for constructing a deck continued

step 1 Preparing the site

Mark out desired area for deck with wooden pegs and string. This will help you visualise the size of the finished deck and act as a guide to preparing the site. All earthed areas should be covered with weed control membrane to stop weeds and other growth. If your ground is flat and level you can proceed to Step 3. However, if you wish to raise the deck from ground level or the ground is uneven or sloped, you should proceed to Step 2.

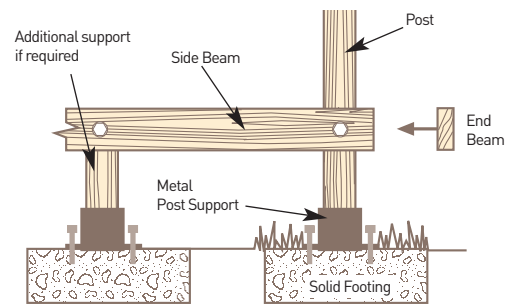


step 2 Raised deck

If you choose to raise your decked area, the raised deck will need to be supported with posts. In most circumstances a distance of 1.8m between posts should be sufficient. This may vary depending on the joist size, fixings used and the potential loading. Posts will be required to support central joists as well as the perimeter frame.

If required posts can be fixed by either concreting the post directly into the ground or using metal supports* (see diagram opposite). Using a level, find the desired floor height on the posts and mark this accordingly. This should provide you with the position of the top of your deck board and therefore enable you to identify the joist position for fixing. Secure the joists using suitable fixings, for example joist hangers, screws or coach screws.

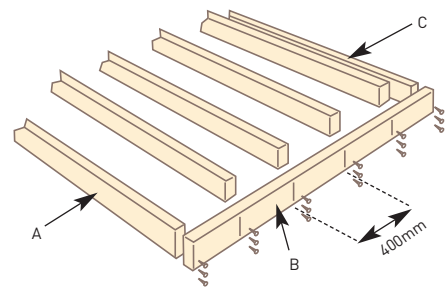
*This method is recommended if you are using ThermoWood® posts.



step 3 Framework

Cut the side joists (A) that will form the sides of the deck to the size you require and mark the position of the floor joists (B) at 400mm centres.

Cut the deck floor joists (C) to length and place the floor joists in position where the deck is required. Assemble the framework using 3 screws, or alternatively joist hangers, per joist end. Please note: screwing through the side beam into the end of joists is only recommended for ground level decks.



step 4 Fixing deck boards

Cut your deck boards to the required length. Place the first board with the end flush with the face of the front of the deck. Fix this first board to each joist and always pre-drill a pilot hole prior to fixing. The gap between your boards should be 5-8mm for drainage*. Place the next board parallel to the first and continue in the same way until the last board is laid.

*Please note: this will vary for Composite due to the different fixing system.

